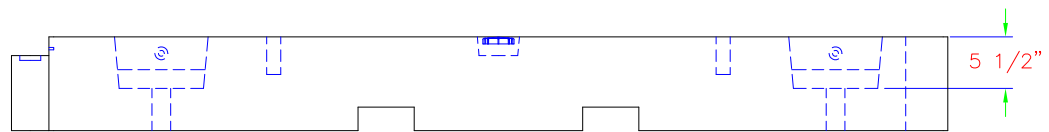
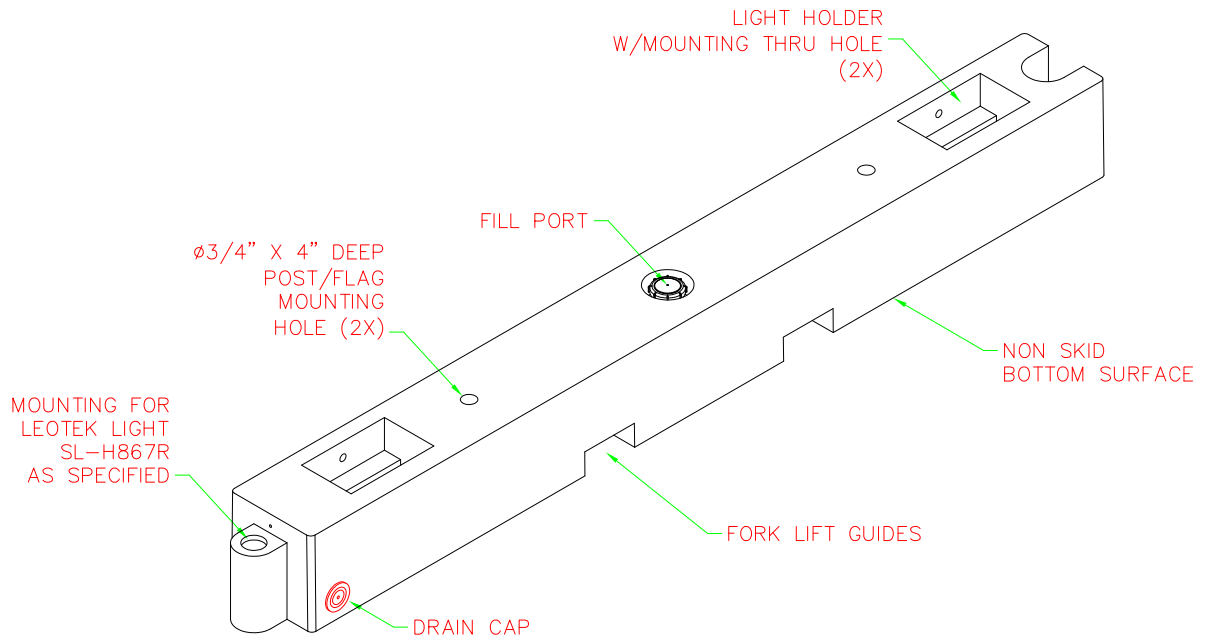
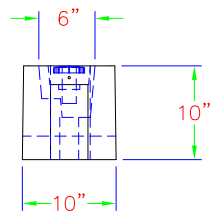
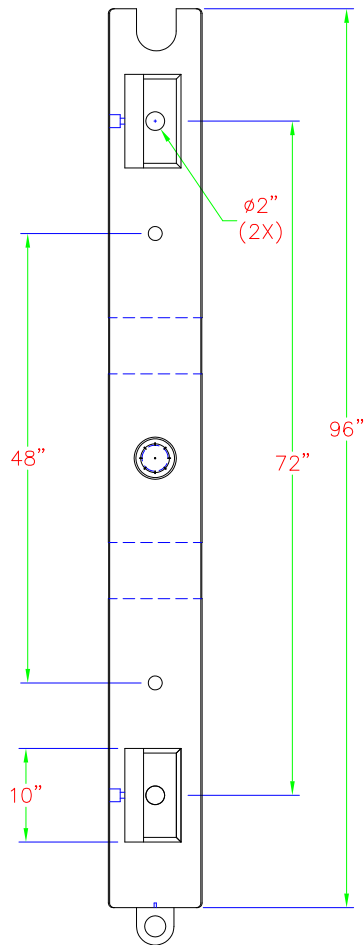



FILE NAME: P6-0101096 LOW PROFILE BARRIER



XXX-DESIGNATE COLOR

 www.tamiscorp.com		PART DESCRIPTION		
		10" X 10" X 96" LOW PROFILE BARRIER		
CUSTOMER				
DRAWN	DATE	SCALE	MAX. LOAD	
QA	2/05	NONE		
APPROV.	DATE	MATERIAL	DRAWING NUMBER	
WS	2/05	POLYETHYLENE	P6000101096-XXX	
<small>*THE INFORMATION IN THIS DRAWING IS CONFIDENTIAL. THE DRAWING IS NOT TO BE REPRODUCED OR ITS CONTENTS DISCLOSED IN ANY WAY WHATSOEVER EXCEPT WITH THE PRIOR WRITTEN APPROVAL OF ARMORCAST PRODUCTS COMPANY. IT IS THE PROPERTY OF AND MUST BE RETURNED TO ARMORCAST PRODUCTS COMPANY, 13230 SATICO STREET, NORTH HOLLYWOOD, CALIFORNIA 91605.</small>				